

Integrated Compensators

Range Overview

Integrated Compensators:

- Mount directly to valve-packs and junction boxes
- Efficient space and weight utilisation on vehicles
- Simple and quick to install and maintain
- Reduced risk of component damage
- Cost saving - no additional brackets, hoses, harnesses or fitting required
- Internal level sensors available (pressure or linear transducer)
- 0.5 & 1 litre versions



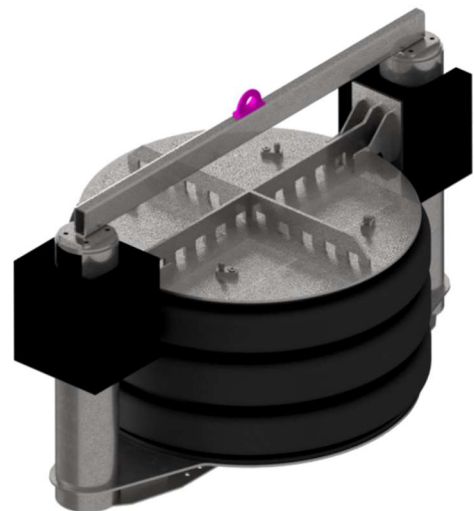
Standalone Compensators:

- 0.5 → 13.5 litre sizes to suit all requirements
- Rolling diaphragm construction to minimise leakage
- Level sensors available across the range
- Steel top units available for extra heat dissipation and heavy duty applications.
- Customisable top-plates and springs for adaptability for bespoke applications



Bellow Reservoirs

- For large volume applications – from 13 to 200 litres differential.
- Generally used on systems with larger cylinders where rod displacements cause significant oil volume differentials during operation.
- Fully guided bellow – minimal sticking risk during operation
- Level sensor available on all sizes
- Stainless steel units for longevity in the field



Integrated Compensators



DME PN	Size [Litres]	Comments
IC_0050-01-GA	0.5	Straight Head
IC_0050-02-GA	0.5	90° Head
IC_0100-01-GA	1.0	Straight Head
IC_0100-02-GA	1.0	90° Head

Drawings and CAD models available as required.

For detailed specifications please refer to the General Arrangement drawing for each unit.

Standalone Compensators



0.5 Litre Compensators	
DME PN	Comments
HC_0050-01-GA	Plastic top No level sensor
HC_0050-02-GA	HD version - Stainless Steel top Level sensor

1.0 Litre Compensators	
DME PN	Comments
HC_0100-01-GA	Plastic top No level sensor
HC_0100-02-GA	HD version - Stainless Steel top Level sensor

2.7 Litre Compensators	
DME PN	Comments
HC_0270-01-GA	Plastic top Level sensor
HC_0270-02-GA	HD version - Stainless Steel top Level sensor ready (not supplied)
HC_0270-03-GA	Plastic top Level sensor ready (not supplied)

Standalone Compensators

7.0 Litre Compensators	
DME PN	Comments
HC_0700-01-GA	Plastic top Level sensor
HC_0700-02-GA	HD version - Stainless Steel top Level sensor
HC_0700-03-GA	HD version - Stainless Steel top Level sensor ready (not supplied)

13.5 Litre Compensators	
DME PN	Comments
HC_1350-01-GA	Plastic top Level sensor
HC_1350-02-GA	HD version - Stainless Steel top Level sensor
HC_1350-03-GA	HD version - Stainless Steel top Level sensor ready (not supplied)

Drawings and CAD models available as required.

For detailed specifications please refer to the General Arrangement drawing for each unit.

Bespoke units are also available to suit specific requirements, please contact our technical sales team for more information.

Footnotes on Subsea Oil Compensation

Oil is generally considered incompressible however pressure and temperature will affect overall oil volume. To compensate for this on subsea and closed hydraulic systems compensators and reservoirs are used. DME's range of units are designed to cover both passive compensation of electronic boxes and also small and large hydraulic circuits.

Selection of unit sizing should always be carried out by a person experienced with subsea engineering. If in doubt please contact one of our technical sales engineers for further advice and sizing.