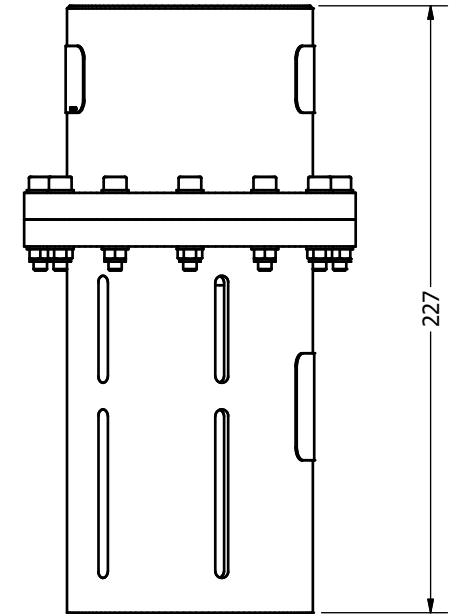
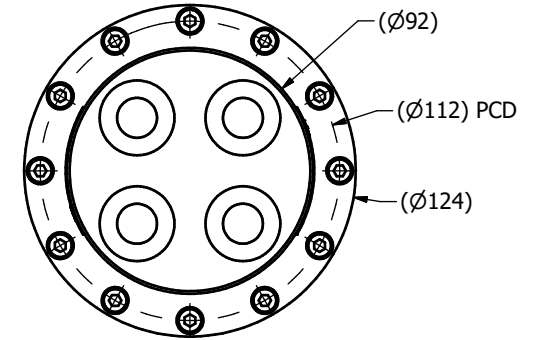
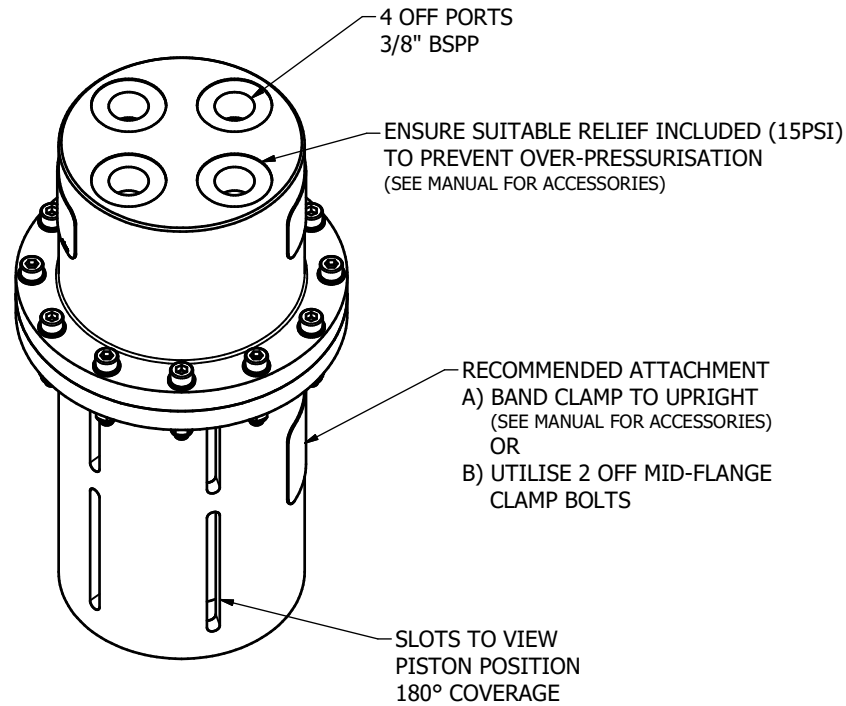


Specification Table		
Environment	Marine - Subsea	
Volume	Full	0.5 litres
	Empty	0 litres
Pressure	Full	0.4 bar 6 psi
	Empty	0.1 bar 2 psi
		In Air (80% full)
Weight	In Air (Empty)	1.5kg
	In Water (80% full)	0.5kg
	In Water (Empty)	0.6kg
		Maximum Working Pressure
Maximum Operational Depth	6000m	
Materials	Housings - Plastic	
	Fasteners - SS	
	Diaphragm - NBR	
Values provided above are theoretical		



ISSUE	DATE	DESCRIPTION OF CHANGE	DRAWN BY	CHECKED BY	
1	25/03/22	BOLT LENGTH AMENDED	MvZ	DC	
TOLERANCES UNLESS OTHERWISE STATED	DIMENSIONS (mm)	UP TO 100	100 TO 300	300 TO 1000	OVER 1000
	FABRICATION	± 1.0	± 1.5	± 2.0	± 3
	MACHINED PART	± 0.15	± 0.4	± 0.8	± 1.0

**DME**  
Systems Ltd

TITLE  
**ASSEMBLY 0.5LTR  
COMPENSATOR. BSPP PORTS**

DRG NO  
**HC 0050-01-GA**

ISSUE  
**1**

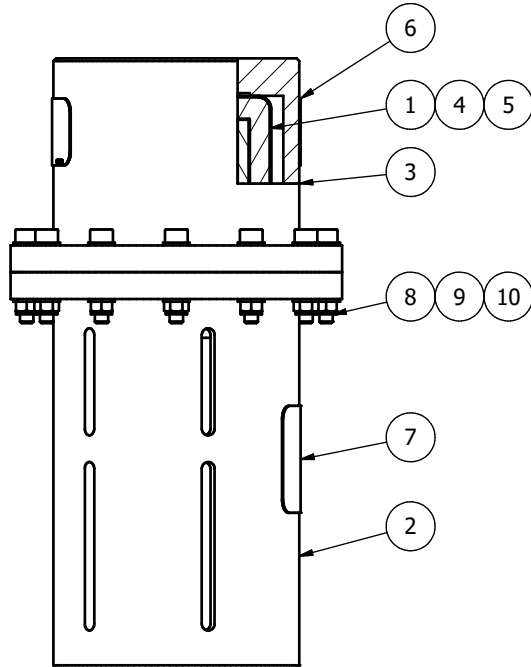
MATERIAL SEE NOTES	EST. MASS 1.431 kg	SCALE 1:2	DRAWN BY MvZ	CHECKED BY DC	DATE 16/12/2021	SHEET NO 1 OF 2	SHEET A3
-----------------------	-----------------------	--------------	-----------------	------------------	--------------------	--------------------	-------------

THIS DRAWING IS THE PROPERTY OF DM ENGINEERING SYSTEMS LTD. AND IS ISSUED ON CONDITION THAT IT IS NOT COPIED, USED, NOR DISCLOSED TO A THIRD PARTY FOR ANY PURPOSE WITHOUT CONSENT IN WRITING OF DM ENGINEERING SYSTEMS LTD.

ALL DIMENSIONS  
IN MILLIMETRES

PROJECTION

**!! WARNING !!**  
 INTERNAL SPRING REMAINS UNDER COMPRESSION EVEN WHEN EMPTY  
 TAKE APPROPRIATE CARE DURING DISASSEMBLY



- NOTES:  
 1. ASSEMBLE TO DME-WI002  
 2. APPLY SILICON SPRAY TO DIAPHRAGM PRIOR TO ASSEMBLY  
 3. TEST AFTER ASSEMBLY  
 4. CAP PORTS FOR SHIPMENT

PARTS LIST			
ITEM	QTY	PART NUMBER	DESCRIPTION
1	1	A1113-PT	DIAPHRAGM 0.5LTR COMP
2	1	A1114-MD	PLASTIC 0.5LTR COMP BTM HOUSING
3	1	A1115-MD	PLASTIC 0.5LTR COMP TOP HOUSING
4	1	A1116-MD	PLASTIC 0.5LTR COMP PISTON
5	1	A1118-PT	SPRING 0.5LTR COMP SS
6	2	A1173-MD	LABEL - DME WHITE 50mm
7	1	A1179-MD	LABEL - WARNING SPRING COMPRESSION 50mm
8	12	BOLT M5 x 30 SHCS SS A4-80	BOLT M5 x 30 SHCS SS A4-80
9	24	M5 WASHER SS	M5 WASHER SS
10	12	NUT M5 NYLOC A4-80	NUT M5 NYLOC A4-80

ISSUE	DATE	DESCRIPTION OF CHANGE	DRAWN BY	CHECKED BY
1	25/03/22	BOLT LENGTH AMENDED	MvZ	DC

TOLERANCES UNLESS OTHERWISE STATED	DIMENSIONS (mm)				
	UP TO 100	100 TO 300	300 TO 1000	OVER 1000	
	FABRICATION	± 1.0	± 1.5	± 2.0	± 3
MACHINED PART	± 0.15	± 0.4	± 0.8	± 1.0	



TITLE		ASSEMBLY 0.5LTR COMPENSATOR. BSPP PORTS			ISSUE	1
DRG NO		HC_0050-01-GA				
MATERIAL	EST. MASS	SCALE	DRAWN BY	CHECKED BY	DATE	SHEET NO
SEE NOTES	1.431 kg	1:2	MvZ	DC	16/12/2021	2 OF 2
THIS DRAWING IS THE PROPERTY OF DM ENGINEERING SYSTEMS LTD. AND IS ISSUED ON CONDITION THAT IT IS NOT COPIED, USED, NOR DISCLOSED TO A THIRD PARTY FOR ANY PURPOSE WITHOUT CONSENT IN WRITING OF DM ENGINEERING SYSTEMS LTD.					ALL DIMENSIONS IN MILLIMETRES	PROJECTION