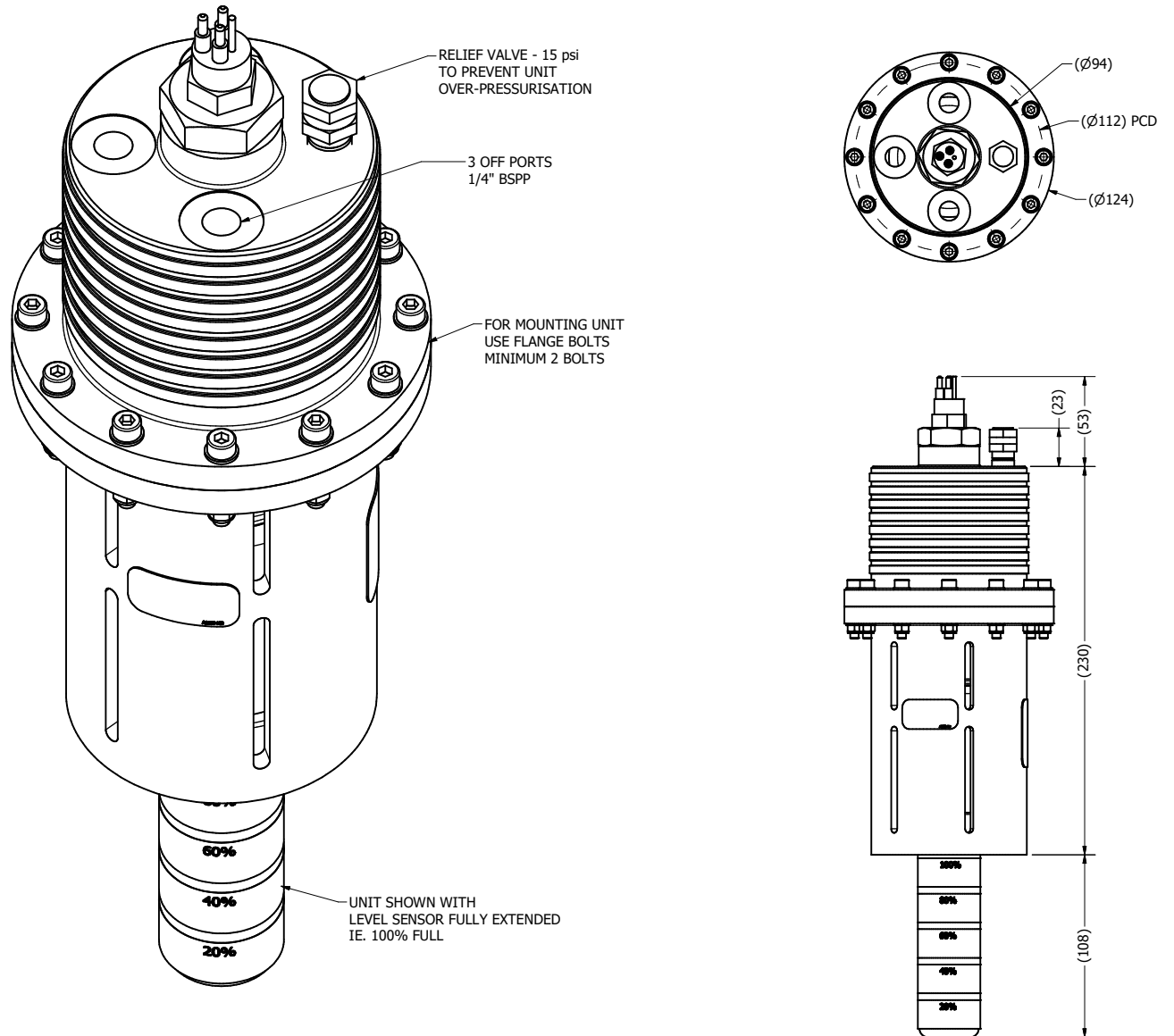


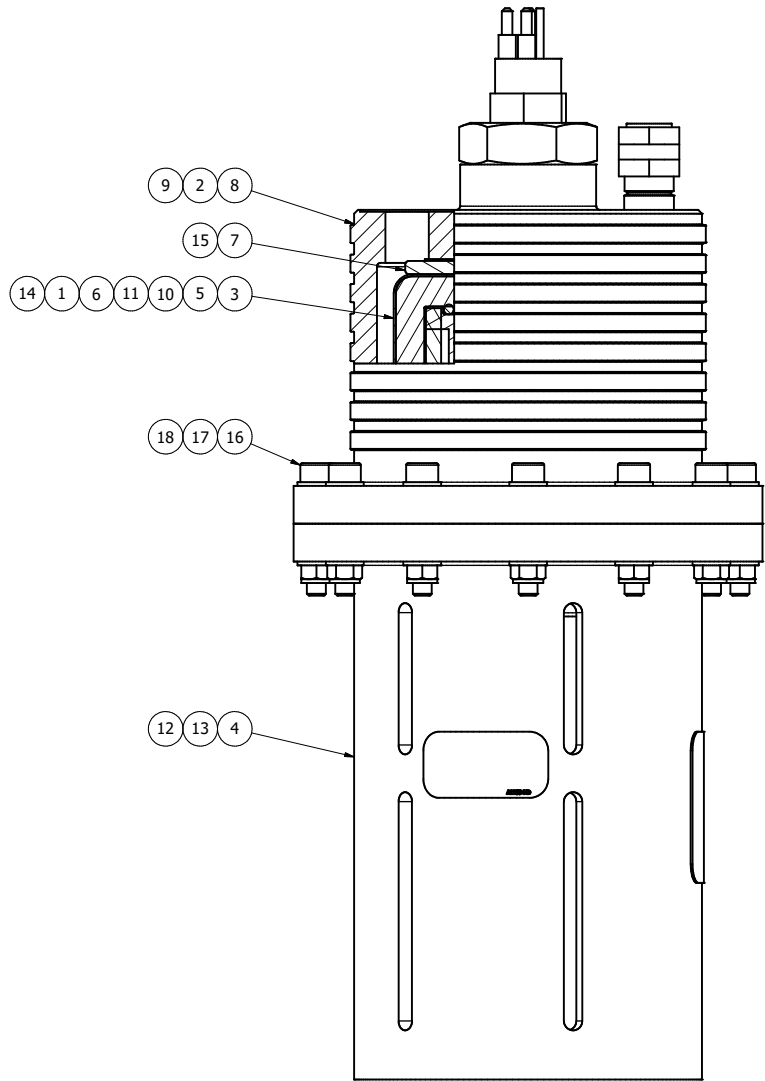
Specification Table		
Environment	Marine - Subsea	
Volume	Full	0.5 litres
	Empty	0 litres
Pressure		0.4 bar
	Full	6 psi
	Empty	2 psi
Weight	In Air (80% full)	4.2kg
	In Air (Empty)	3.8kg
	In Water (80% full)	2.6kg
	In Water (Empty)	2.6kg
Maximum Working Pressure	1 bar	
Maximum Operational Depth	6000m	
Materials	Top Housing and Bolts - SS	
	Lower Housing - Plastic Diaphragm - NBR	
Values provided above are theoretical		

Compensator Level Sensor	
Connector: MCBH4M-G2	
Pin	Function
1	24V DC
2	0V DC
3	4-20mA
4	(Spare)



ISSUE	DATE	DESCRIPTION OF CHANGE	DRAWN BY	CHECKED BY	DME Systems Ltd				TITLE ASSEMBLY 0.5LTR COMPENSATOR BSPP WITH TRANSDUCER				ISSUE	
1	25/03/22	BOLT LENGTH AMENDED	MvZ	DC	DRG NO HC 0050-02-GA				SHEET NO 1 OF 2				1	
TOLERANCES UNLESS OTHERWISE STATED					MATERIAL	EST. MASS	SCALE	DRAWN BY	CHECKED BY	DATE	SHEET NO	SHEET	ALL DIMENSIONS IN MILLIMETRES	
					SEE NOTES	3.822 kg	1 : 1	MvZ	DC	10/12/2021	1 OF 2	A2	PROJECTION	
					DIMENSIONS (mm)	UP TO 100	100 TO 300	300 TO 1000	OVER 1000	THIS DRAWING IS THE PROPERTY OF DM ENGINEERING SYSTEMS LTD. AND IS ISSUED ON CONDITION THAT IT IS NOT COPIED, USED, NOR DISCLOSED TO A THIRD PARTY FOR ANY PURPOSE WITHOUT CONSENT IN WRITING OF DM ENGINEERING SYSTEMS LTD.				
					FABRICATION	± 1.0	± 1.5	± 2.0	± 3					
					MACHINED PART	± 0.15	± 0.4	± 0.8	± 1.0					

!! WARNING !!
 INTERNAL SPRING REMAINS UNDER COMPRESSION EVEN WHEN EMPTY
 TAKE APPROPRIATE CARE DURING DISASSEMBLY



- NOTES:
 1. ASSEMBLE TO DME-WI002
 2. APPLY SILICON SPRAY TO DIAPHRAGM PRIOR TO ASSEMBLY
 3. TEST AFTER ASSEMBLY
 4. CAP PORTS FOR SHIPMENT

PARTS LIST			
ITEM	QTY	PART NUMBER	DESCRIPTION
1	1	A1036-PT	SEAL O-RING 39.34 x 2.62 NBR
2	1	A1041-PT	VALVE RELIEF 15psi (1/4"NPT)
3	2	A1113-PT	DIAPHRAGM 0.5LTR COMP
4	1	A1114-MD	PLASTIC 0.5LTR COMP BTM HOUSING
5	1	A1118-PT	SPRING 0.5LTR COMP SS
6	1	A1122-MD	PLASTIC 0.5LTR COMP TRANSDUCER HOUSING
7	1	A1149-MD	PLATE 0.5LTR COMP DIAPHRAGM RETAINER
8	1	A1150-MD	HOUSING TOP 0.5LTR COMP BSP WITH TRANSDUCER
9	1	A1151-PT	SENSOR LEVEL LJW 115mm 4-20mA MCBH4M-G2
10	1	A1152-MD	PLASTIC 0.5LTR COMP PISTON FOR TRANSDUCER
11	1	A1153-MD	PLASTIC 0.5LTR COMP MAGNET SPACER
12	1	A1179-MD	LABEL - WARNING SPRING COMPRESSION 50mm
13	2	A1183-MD	LABEL - DME WHITE 35mm
14	1	A1228-MD	LABEL 0.5LTR COMP LEVEL SENSOR
15	8	BOLT M3x20 CSK A4-80	BOLT M3x20 CSK A4-80
16	12	BOLT M5 x 30 SHCS SS A4-80	BOLT M5 x 30 SHCS SS A4-80
17	24	M5 WASHER SS	M5 WASHER SS
18	12	NUT M5 NYLOC A4-80	NUT M5 NYLOC A4-80

ISSUE	DATE	DESCRIPTION OF CHANGE	DRAWN BY	CHECKED BY	DME Systems Ltd				TITLE				ISSUE				
1	25/03/22	BOLT LENGTH AMENDED	MvZ	DC					ASSEMBLY 0.5LTR COMPENSATOR BSPP WITH TRANSDUCER				1				
									DRG NO				HC 0050-02-GA				
TOLERANCES UNLESS OTHERWISE STATED					DIMENSIONS (mm)	UP TO 100	100 TO 300	300 TO 1000	OVER 1000	MATERIAL SEE NOTES	EST. MASS 3.822 kg	SCALE 1 : 1	DRAWN BY MvZ	CHECKED BY DC	DATE 10/12/2021	SHEET NO 2 OF 2	SHEET A2
					FABRICATION	± 1.0	± 1.5	± 2.0	± 3	THIS DRAWING IS THE PROPERTY OF DM ENGINEERING SYSTEMS LTD. AND IS ISSUED ON CONDITION THAT IT IS NOT COPIED, USED, NOR DISCLOSED TO A THIRD PARTY FOR ANY PURPOSE WITHOUT CONSENT IN WRITING OF DM ENGINEERING SYSTEMS LTD.							
					MACHINED PART	± 0.15	± 0.4	± 0.8	± 1.0	ALL DIMENSIONS IN MILLIMETRES				PROJECTION			