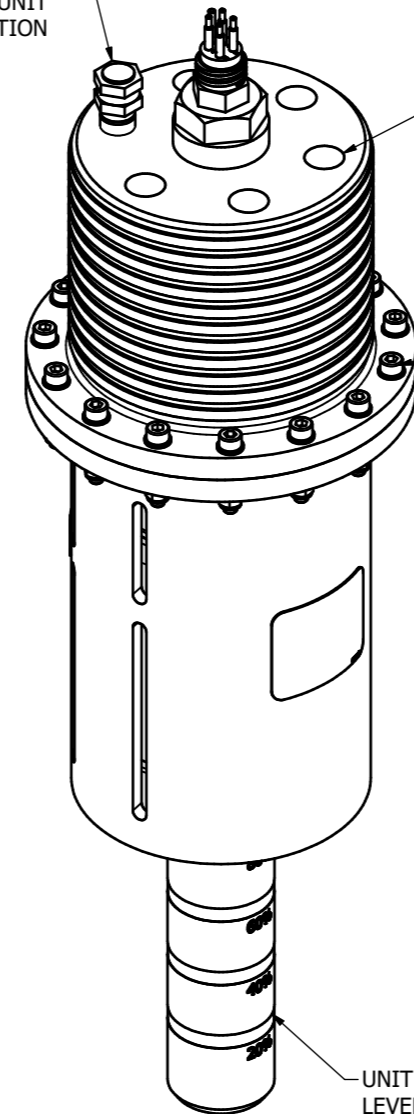


Specification Table		
Environment	Marine - Subsea	
Volume	Full	1.0 litres
	Empty	0 litres
Pressure	Full	0.6bar 9 psi
	Empty	0.1bar 2 psi
Weight	In Air (80% full)	6.3kg
	In Air (Empty)	5.6kg
	In Water (80% full)	3.8kg
	In Water (Empty)	3.9kg
Maximum Working Pressure	1 bar	
Maximum Operational Depth	6000m	
Materials	Top Housing and Bolts - SS Lower Housing - Plastic Diaphragm - NBR	
Values provided above are theoretical		

Compensator Level Sensor	
Connector: MCBH4M-G2	
Pin	Function
1	24V DC
2	0V DC
3	4-20mA
4	(Spare)

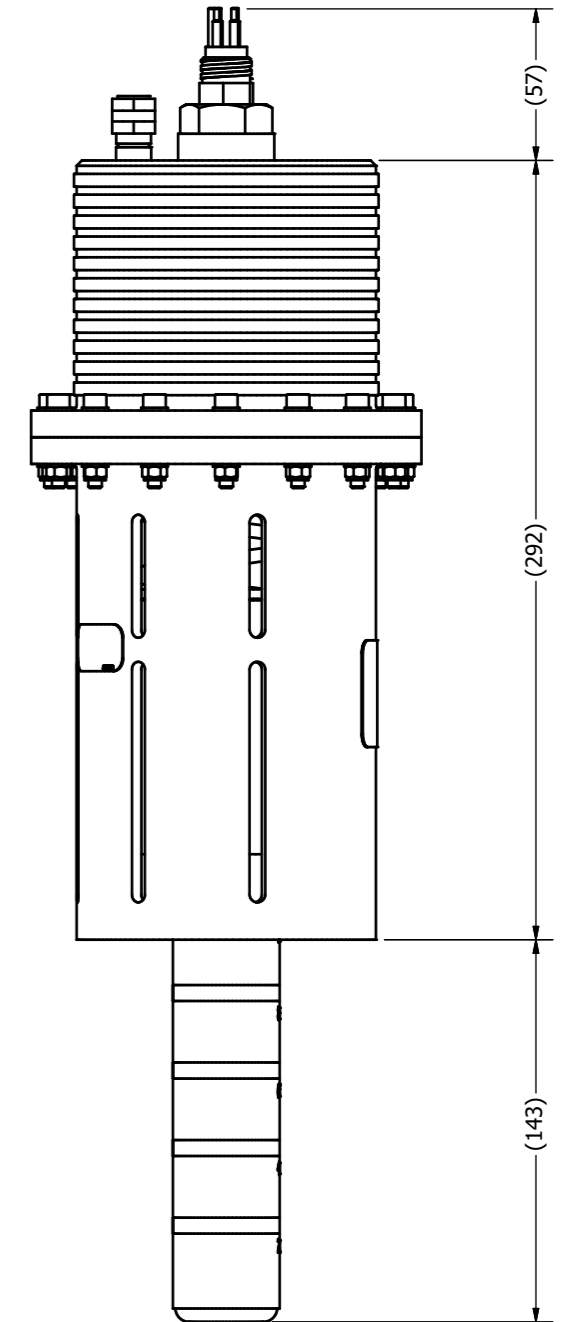
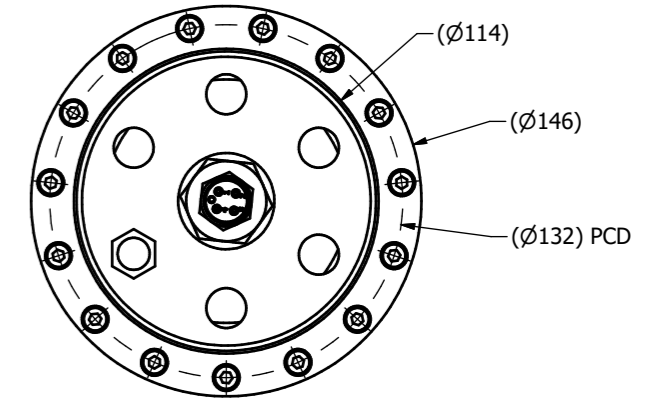
RELIEF VALVE - 1 BAR  
TO PREVENT UNIT  
OVER-PRESSURISATION



5 OFF PORTS  
3/8" BSPP

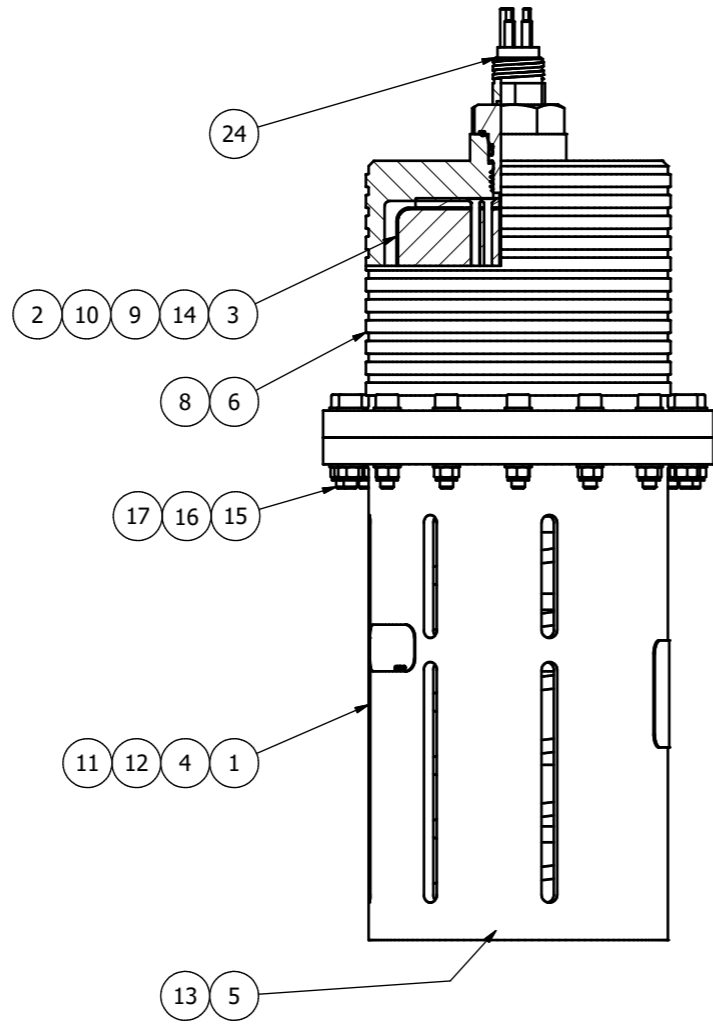
FOR MOUNTING UNIT  
USE FLANGE BOLTS

UNIT SHOWN WITH  
LEVEL SENSOR FULLY EXTENDED  
IE. UNIT 100% FULL



ISSUE	DATE	DESCRIPTION OF CHANGE	DRAWN BY	CHECKED BY	DME Systems Ltd				TITLE ASSEMBLY 1LTR HD COMP BSPP - SUBCONN 4-20mA				ISSUE		
1	26/04/2022	BOLT LENGTH REDUCED FROM 35mm	MvZ	DC	DRG NO <b>HC_0100-2-GA</b>				DRAWN BY MvZ CHECKED BY DC DATE 23/12/2021 SHEET NO 1 OF 2				2		
2	27/06/2022	CSK BOLT LENGTH INCREASED 5mm	MvZ	DC											
TOLERANCES UNLESS OTHERWISE STATED					DIMENSIONS (mm)	UP TO 100	100 TO 300	300 TO 1000	OVER 1000	MATERIAL SEE NOTES	EST. MASS 5.138 kg	SCALE 1:2	SHEET NO A2		PROJECTION ⊕
					FABRICATION	± 1.0	± 1.5	± 2.0	± 3	THIS DRAWING IS THE PROPERTY OF DM ENGINEERING SYSTEMS LTD. AND IS ISSUED ON CONDITION THAT IT IS NOT COPIED, USED, NOR DISCLOSED TO A THIRD PARTY FOR ANY PURPOSE WITHOUT CONSENT IN WRITING OF DM ENGINEERING SYSTEMS LTD.					
					MACHINED PART	± 0.15	± 0.4	± 0.8	± 1.0	ALL DIMENSIONS IN MILLIMETRES					

**!! WARNING !!**  
 INTERNAL SPRING REMAINS UNDER COMPRESSION EVEN WHEN EMPTY  
 TAKE APPROPRIATE CARE DURING DISASSEMBLY



- NOTES:  
 1. ASSEMBLE TO DME-WI002  
 2. APPLY SILICON SPRAY TO DIAPHRAGM PRIOR TO ASSEMBLY  
 3. TEST AFTER ASSEMBLY  
 4. CAP PORTS FOR SHIPMENT

PARTS LIST			
ITEM	QTY	PART NUMBER	DESCRIPTION
1	1	A1007-MD	PLASTIC 1LTR COMP HOUSING BOTTOM
2	1	A1036-PT	SEAL O-RING 39.34 x 2.62 NBR
3	1	A1033-PT	DIAPHRAGM - 1LT COMPENSATOR
4	1	A1034-PT	SPRING 1LTR COMP
5	1	A1035-MD	PLASTIC 1LTR COMP TRANSDUCER HOUSING
6	1	A1039-MD	STEEL 1LTR COMP SS TOP HOUSING
8	1	A1041-PT	VALVE RELIEF 15psi (1/4"NPT)
9	1	A1082-MD	PLASTIC 1LTR COMP DIAPHRAGM RETAINER
10	1	A1110-MD	PLASTIC 1LTR COMP PISTON CW TRANSDUCER MOUNTING
11	1	A1179-MD	LABEL - WARNING SPRING COMPRESSION 50mm
12	2	A1183-MD	LABEL - DME WHITE 35mm
13	1	A1227-MD	LABEL 1LTR COMP LEVEL SENSOR
14	8	BOLT CSK - M3x40 A4-80	BOLT CSK
15	15	BOLT M5 x 30 SHCS SS A4-80	BOLT M5 x 30 SHCS SS A4-80
16	15	NUT M5 NYLOC A4-80	NUT M5 NYLOC A4-80
17	30	M5 WASHER SS	M5 WASHER SS
24	1	A1040-PT	SENSOR LEVEL LJW 150mm 4-20mA MCBH4M-G2

ISSUE	DATE	DESCRIPTION OF CHANGE	DRAWN BY	CHECKED BY
1	26/04/2022	BOLT LENGTH REDUCED FROM 35mm	MvZ	DC
2	27/06/2022	CSK BOLT LENGTH INCREASED 5mm	MvZ	DC

TOLERANCES UNLESS OTHERWISE STATED	DIMENSIONS (mm)		UP TO 100	100 TO 300	300 TO 1000	OVER 1000
	FABRICATION		± 1.0	± 1.5	± 2.0	± 3
	MACHINED PART		± 0.15	± 0.4	± 0.8	± 1.0



TITLE  
 ASSEMBLY 1LTR HD COMP BSPP - SUBCONN 4-20mA  
 DRG NO  
**HC\_0100-2-GA**

ISSUE  
**2**

MATERIAL	EST. MASS	SCALE	DRAWN BY	CHECKED BY	DATE	SHEET NO	SHEET
SEE NOTES	5.138 kg	1:2	MvZ	DC	23/12/2021	2 OF 2	A2

THIS DRAWING IS THE PROPERTY OF DM ENGINEERING SYSTEMS LTD. AND IS ISSUED ON CONDITION THAT IT IS NOT COPIED, USED, NOR DISCLOSED TO A THIRD PARTY FOR ANY PURPOSE WITHOUT CONSENT IN WRITING OF DM ENGINEERING SYSTEMS LTD.

ALL DIMENSIONS IN MILLIMETRES

PROJECTION