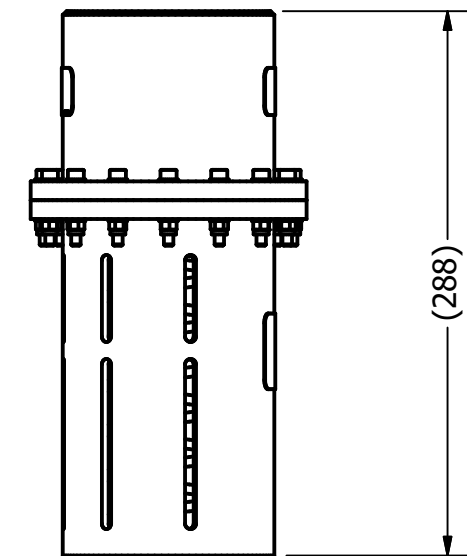
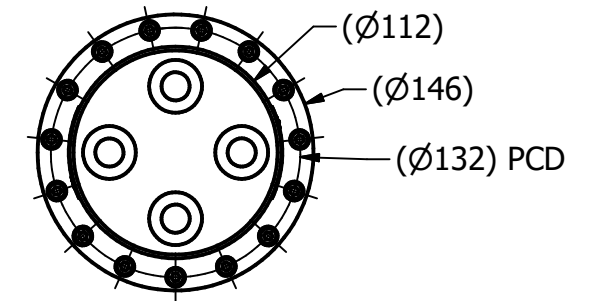
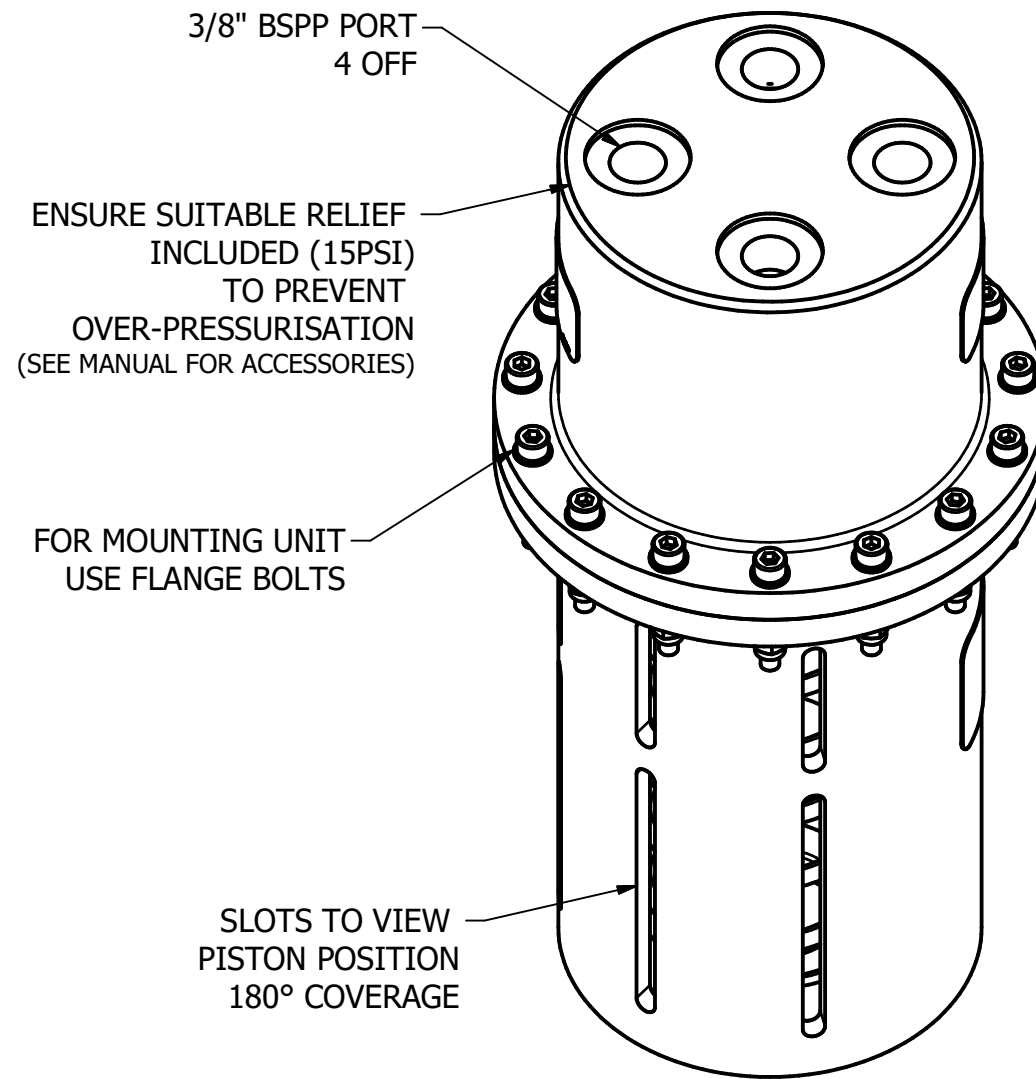


Specification Table		
Environment	Marine - Subsea	
Volume	Full	1.0 litres
	Empty	0 litres
Pressure	Full	0.6bar 9 psi
	Empty	0.1bar 2 psi
Weight	In Air (80% full)	2.5kg
	In Air (Empty)	1.8kg
	In Water (80% full)	0.4kg
	In Water (Empty)	0.5kg
Maximum Working Pressure	1 bar	
Maximum Operational Depth	6000m	
Materials	Bolts - SS	
	Housings - Plastic	
	Diaphragm - NBR	
Values provided above are theoretical		



ISSUE	DATE	DESCRIPTION OF CHANGE	DRAWN BY	CHECKED BY	
TOLERANCES UNLESS OTHERWISE STATED	DIMENSIONS (mm)	UP TO 100	100 TO 300	300 TO 1000	OVER 1000
	FABRICATION	± 1.0	± 1.5	± 2.0	± 3
	MACHINED PART	± 0.15	± 0.4	± 0.8	± 1.0



TITLE
ASSEMBLY 1LTR COMPENSATOR.
BSPP PORTS

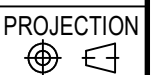
ISSUE
0

DRG NO **HC_0100-1-GA**

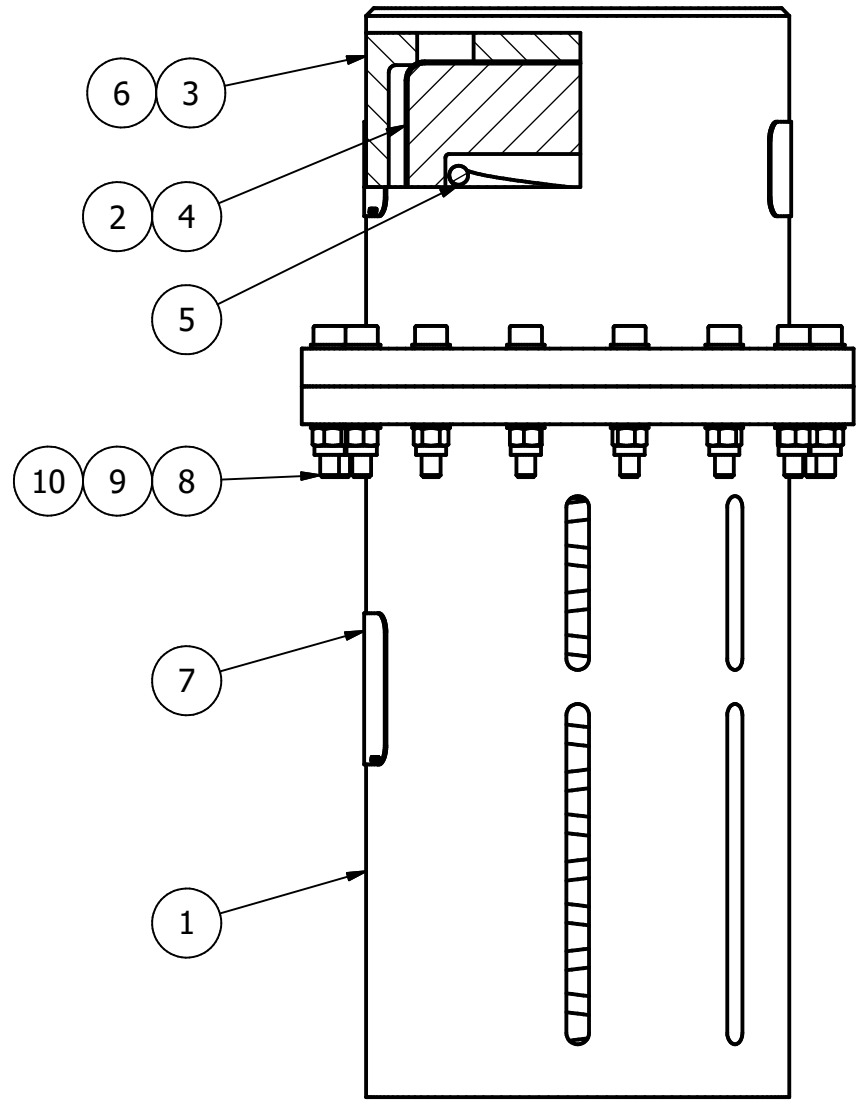
MATERIAL SEE NOTES	EST. MASS 1.817 kg	SCALE 1:2	DRAWN BY MvZ	CHECKED BY DC	DATE 22/11/2021	SHEET NO 1 OF 2	SHEET A3
-----------------------	-----------------------	--------------	-----------------	------------------	--------------------	--------------------	-------------

THIS DRAWING IS THE PROPERTY OF DM ENGINEERING SYSTEMS LTD. AND IS ISSUED ON CONDITION THAT IT IS NOT COPIED, USED, NOR DISCLOSED TO A THIRD PARTY FOR ANY PURPOSE WITHOUT CONSENT IN WRITING OF DM ENGINEERING SYSTEMS LTD.

ALL DIMENSIONS IN MILLIMETRES



!! WARNING !!
 INTERNAL SPRING REMAINS UNDER COMPRESSION EVEN WHEN EMPTY
 TAKE APPROPRIATE CARE DURING DISASSEMBLY



- NOTES:
1. ASSEMBLE TO DME-WI002
 2. APPLY SILICON SPRAY TO DIAPHRAGM PRIOR TO ASSEMBLY
 3. TEST AFTER ASSEMBLY
 4. CAP PORTS FOR SHIPMENT

PARTS LIST			
ITEM	QTY	PART NUMBER	DESCRIPTION
1	1	A1007-MD	PLASTIC 1LTR COMP HOUSING BOTTOM
2	1	A1010-MD	PLASTIC 1LTR COMP PISTON
3	1	A1013-PT	PLASTIC 1LTR COMP TOP HOUSING
4	1	A1033-PT	DIAPHRAGM - 1LT COMPENSATOR
5	1	A1034-PT	SPRING 1LTR COMP
6	2	A1173-MD	LABEL - DME WHITE 50mm
7	1	A1179-MD	LABEL - WARNING SPRING COMPRESSION 50mm
8	15	BOLT M5 x 35 SHCS SS A4-80	BOLT M5 x 35 SHCS SS A4-80
9	30	M5 WASHER SS	M5 WASHER SS
10	15	NUT M5 NYLOC A4-80	NUT M5 NYLOC A4-80

ISSUE	DATE	DESCRIPTION OF CHANGE	DRAWN BY	CHECKED BY	DME Systems Ltd				TITLE	ISSUE				
									ASSEMBLY 1LTR COMPENSATOR. BSPP PORTS	0				
									DRG NO HC_0100-1-GA					
TOLERANCES UNLESS OTHERWISE STATED		DIMENSIONS (mm)	UP TO 100	100 TO 300	300 TO 1000	OVER 1000	MATERIAL	EST. MASS	SCALE	DRAWN BY	CHECKED BY	DATE	SHEET NO	SHEET
		FABRICATION	± 1.0	± 1.5	± 2.0	± 3	SEE NOTES	1.817 kg	1:2	MvZ	DC	22/11/2021	2 OF 2	A3
		MACHINED PART	± 0.15	± 0.4	± 0.8	± 1.0	THIS DRAWING IS THE PROPERTY OF DM ENGINEERING SYSTEMS LTD. AND IS ISSUED ON CONDITION THAT IT IS NOT COPIED, USED, NOR DISCLOSED TO A THIRD PARTY FOR ANY PURPOSE WITHOUT CONSENT IN WRITING OF DM ENGINEERING SYSTEMS LTD.						ALL DIMENSIONS IN MILLIMETRES	PROJECTION