

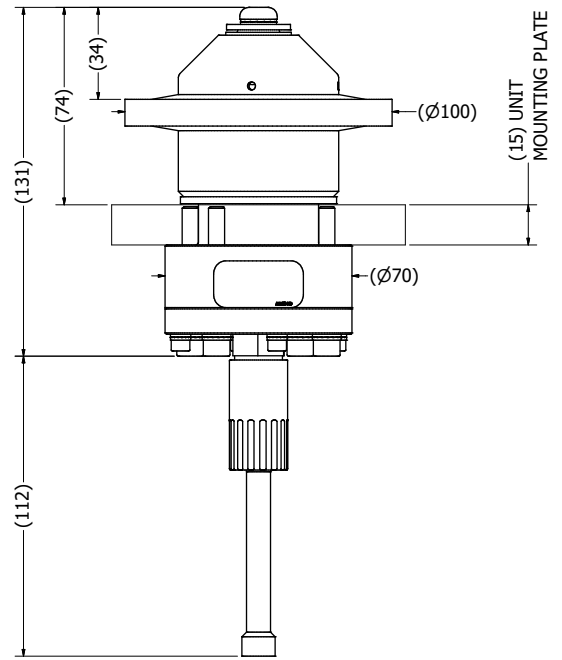
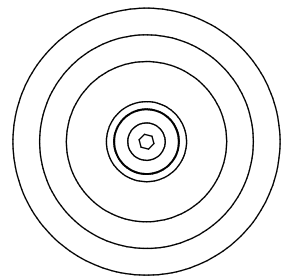
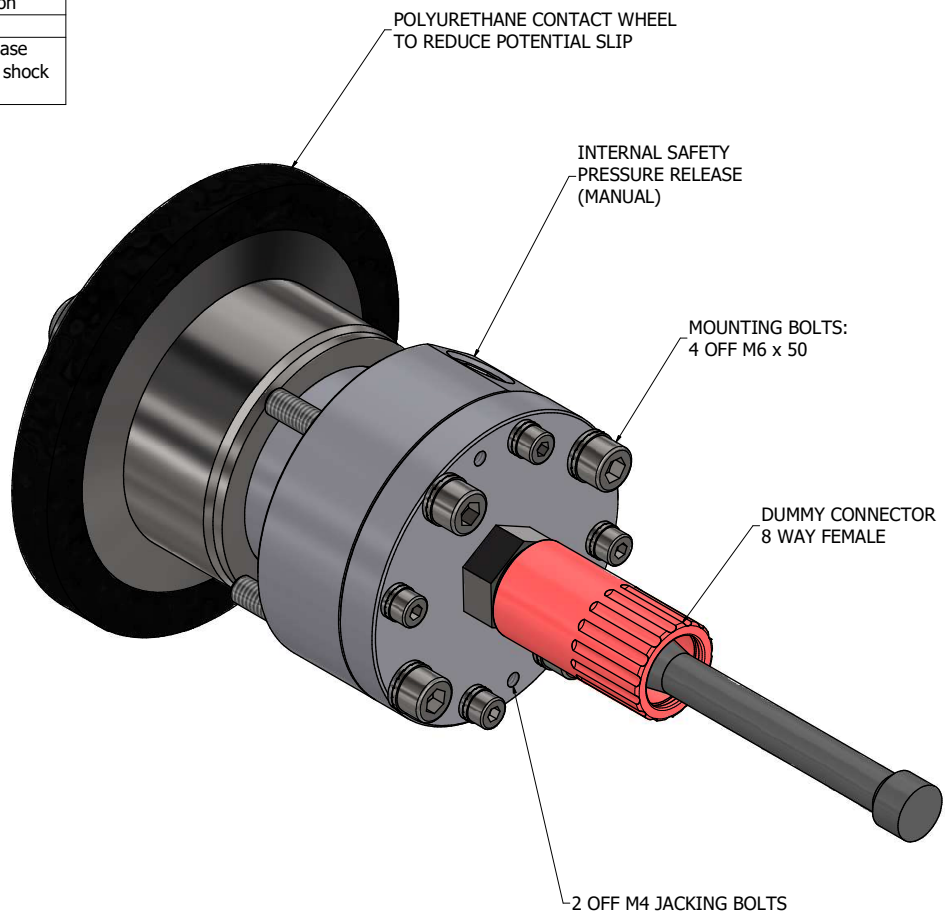
12 11 10 9 8 7 6 5 4 3 2 1

Specification Table

Environment	Marine - Subsea
Maximum Operational Depth	3000 m
Mass In Air	3.5 kg
Mass In Seawater	2.6 kg
Materials	Housing and Bolts - SS Wheel - Polyurethane Running Surface 75 Shore
Encoder Output	1024 PPR 314mm linear travel / revolution
Sealing	Dual O-Ring Seals
Vibration environment	Nordlok washers used to increase vibration resistance for higher shock environments

Electrical Connection

SUBCON MCBH8MSS	CONNECTION
PIN 1	24 VDC
PIN 2	0 VDC
PIN 3	CHA
PIN 4	CHB
PIN 5	CHN
PIN 6	SPARE/ NC
PIN 7	SPARE/ NC
PIN 8	GRD



ISSUE	DATE	DESCRIPTION OF CHANGE	DRAWN BY	CHECKED BY	DME Systems Ltd				TITLE	ISSUE
									ASSEMBLY ENCODER	0
MATERIAL					EST. MASS	SCALE	DRAWN BY	CHECKED BY	DATE	SHEET NO
SEE NOTES					N/A	1.86	RBG	MvZ	16/03/2023	1 OF 3
TOLERANCES UNLESS OTHERWISE STATED					FABRICATION	±1.0	±1.5	±2.0	±3	
					MACHINED PART	±0.15	±0.4	±0.8	±1.0	

12 11 10 9 8 7 6 5 4 3 2 1